



SOUNDWELL®

<http://soundwell-cn.com>

# RC1003 Series POTENTIOMETER

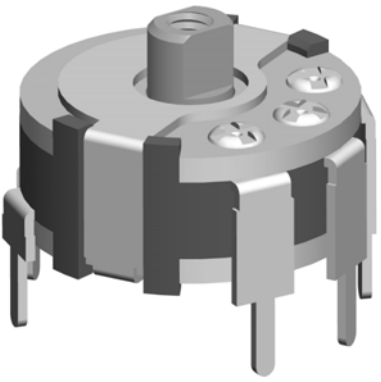
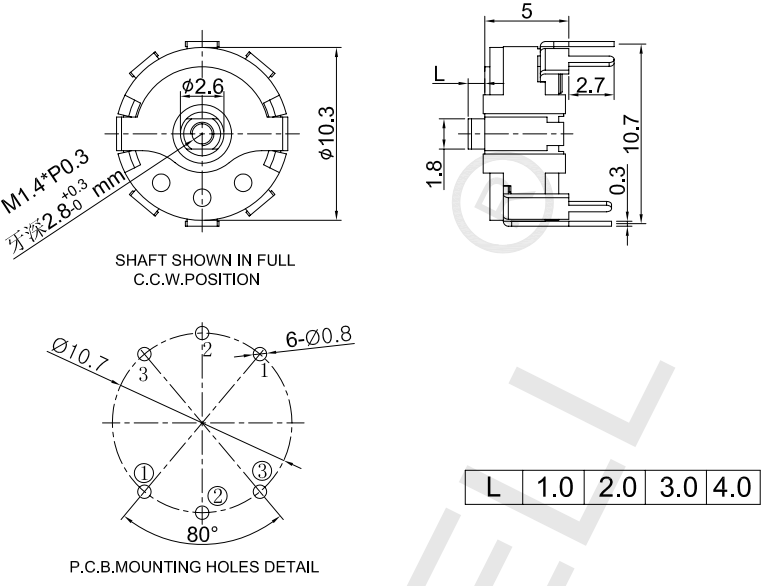


企业微信，扫码有惊喜



升威官网，发现更多产品

| MODEL 品名 | DIMENSIONS 尺寸 | UNIT:mm |
|----------|---------------|---------|
|----------|---------------|---------|

|  |   |     |     |     |     |     |
|--|---|-----|-----|-----|-----|-----|
| <p>RC1003GOX0X-HA2</p>  |  <p>SHAFT SHOWN IN FULL C.C.W.POSITION</p> <p>P.C.B.MOUNTING HOLES DETAIL</p> <table border="1" data-bbox="1093 840 1396 873"> <tr> <td>L</td> <td>1.0</td> <td>2.0</td> <td>3.0</td> <td>4.0</td> </tr> </table> | L   | 1.0 | 2.0 | 3.0 | 4.0 |
| L  | 1.0   | 2.0 | 3.0 | 4.0 |     |     |

## RC1003 SERIES CIRCUIT DIAGRAM

